

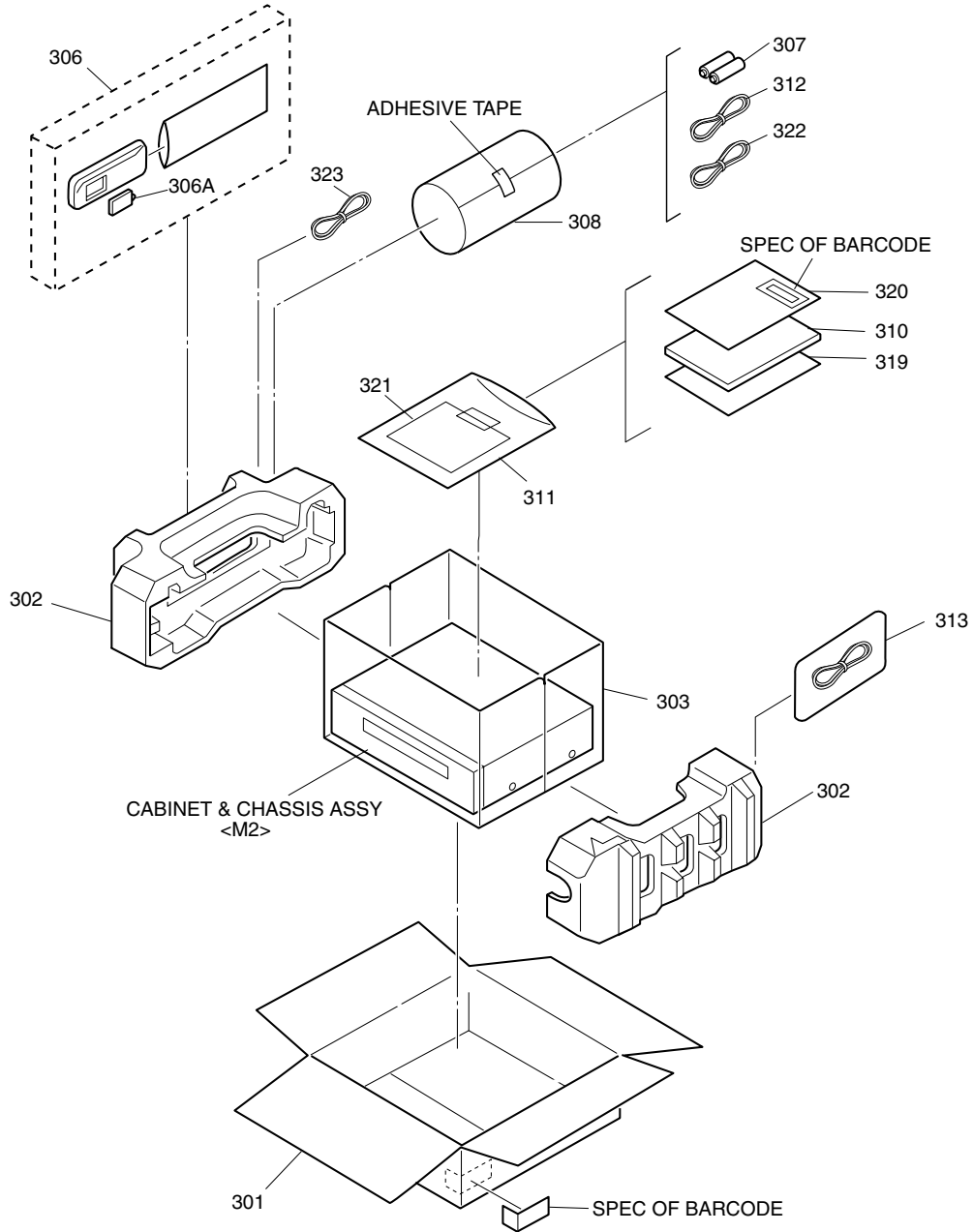
SECTION 5 PARTS LIST

SAFETY PRECAUTION

Parts identified by the \triangle symbol are critical for safety. Replace only with specified part numbers.

5.1 PACKING AND ACCESSORY ASSEMBLY <M1>

The instruction manual to be provided with this product will differ according to the destination.



# \triangle REF No.	PART No.	PART NAME, DESCRIPTION	# \triangle REF No.	PART No.	PART NAME, DESCRIPTION

PACKING AND ACCESSORY ASSEMBLY <M1>					
301	LP30711-001B	PACKING CASE	308	QPC02202230P	POLY BAG
302	LP30606-002C	CUSHION ASSY	\triangle 310	LPT0332-001A	INST BOOK(FR)
303	PQM30021-95	POLY BAG	311	QPC02503530P	POLY BAG
306	LP20667-008B	REMOTE CONTROLLER	312	PEAC0300-02	RF CABLE
306A	LP40225-002A	COVER(BATTERY)	313	QAL0095-005	LED CABLE ASSY(Satellite Controller)
307	-	BATTERY,X2(“R6”TYPE)	319	LP40605-001A	SHEET
			320	BT-54008-2	GUARANTY CARD
			321	LPT0002-0F6B	SHEET(ATTENTION)
			322	PEAC0429	P/S CONV.PLUG
			323	QAM0186-001	PERI CABLE

5.2 ELECTRICAL PARTS LIST

#	△ REF No.	PART No.	PART NAME, DESCRIPTION

SECAM BOARD ASSEMBLY <88>			
PW1		LPA10069-01A	SECAM BOARD ASSY
IC301		LA7358	IC
Q301		2SB1218A/QR/-X	TRANSISTOR
		or 2SA1576A/QR/-X	TRANSISTOR
		or 2PA1576R/-X	TRANSISTOR
Q302		UN511E	TRANSISTOR
		or DTA144WU	TRANSISTOR
		or RN2309	TRANSISTOR
R301		NRSA02J-273X	MG RESISTOR 27kΩ,1/10W
R302		NRSA02J-124X	MG RESISTOR 120kΩ,1/10W
R303		NRSA02J-273X	MG RESISTOR 27kΩ,1/10W
R304		NRSA02J-682X	MG RESISTOR 6.8kΩ,1/10W
R305		NRSA02J-473X	MG RESISTOR 47kΩ,1/10W
R306		NRSA02J-273X	MG RESISTOR 27kΩ,1/10W
R307		NRSA02J-222X	MG RESISTOR 2.2kΩ,1/10W
R308		NRSA02J-222X	MG RESISTOR 2.2kΩ,1/10W
R309		NRSA02J-0R0X	MG RESISTOR 0Ω,1/10W
R310		NRSA02J-223X	MG RESISTOR 22kΩ,1/10W
R311		NRSA02J-332X	MG RESISTOR 3.3kΩ,1/10W
R312		NRSA02J-272X	MG RESISTOR 2.7kΩ,1/10W
R313		NRSA02J-223X	MG RESISTOR 22kΩ,1/10W
R314		NRVA02D-243X	CMF RESISTOR 24kΩ,1/10W
R315		NRSA02J-564X	MG RESISTOR 560kΩ,1/10W
R316		NRSA02J-124X	MG RESISTOR 120kΩ,1/10W
R329		NRSA02J-0R0X	MG RESISTOR 0Ω,1/10W
C301		NDC21HJ-151X	CAPACITOR 150pF,50V
C302		NCB21AK-105X	CAPACITOR 1μF,10V
C303		NCB21HK-682X	CAPACITOR 0.0068μF,50V
C304		NCB21HK-682X	CAPACITOR 0.0068μF,50V
C305		NCB21HK-103X	CAPACITOR 0.01μF,50V
C306		NCB21AK-105X	CAPACITOR 1μF,10V
C307		NDC21HJ-151X	CAPACITOR 150pF,50V
C308		NCB21HK-103X	CAPACITOR 0.01μF,50V
C309		NCB21EK-104X	CAPACITOR 0.1μF,25V
C310		NCB21HK-103X	CAPACITOR 0.01μF,50V
C311		NCB21HK-103X	CAPACITOR 0.01μF,50V
C312		NCB21HK-102X	CAPACITOR 0.001μF,50V
C313		NCB21CK-474X	CAPACITOR 0.47μF,16V
C315		NCB21AK-105X	CAPACITOR 1μF,10V
C316		NCB21HK-103X	CAPACITOR 0.01μF,50V
C317		NDC21HJ-681X	CAPACITOR 680pF,50V
C318		NCB21EK-223X	CAPACITOR 0.022μF,25V
C319		NCB21AK-105X	CAPACITOR 1μF,10V
C320		NCB21HK-103X	CAPACITOR 0.01μF,50V
C321		NDC21HG-301X	CAPACITOR 300pF,50V
C322		NCB21CK-474X	CAPACITOR 0.47μF,16V
L302		QQL231J-6R8Y	COIL 6.8μH
L303		QQL231J-270Y	COIL 27μH
OT1		PU60010	SPACER
CN301		QGG2509M1-05	HEADER PIN
CN302		QGG2509M1-06	HEADER PIN

#	△ REF No.	PART No.	PART NAME, DESCRIPTION
